

No!



No improvisation on safety!



Emergency response in good conditions

P101310



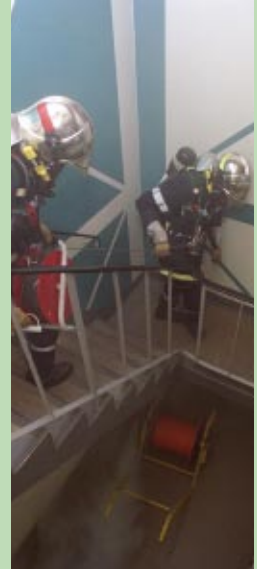
Guarding, security applications, etc.

P101309



Outdoor emergency response (breakdown service, search and rescue, etc.)

P101308



Police, fire fighters, etc.

More than a simple portable lamp

P101311



Lantern function
Thanks to its movable beam and stable base, you can work comfortably, keeping your hands free.

P101312



Revolving light function
using diffuser signaller accessory associated with flash function

P101308



Emergency lighting function
switches on automatically in case of mains failure when plugged into a power outlet

Range overview

	Top 4	Toplux		Jodiolux
				
	P93029	P93031	P93033	
Technical specification				
Protection rating	IP 40	IP 55		IP 65, IK 07
Rated power, autonomy and Illumination	main lamp	5.5 W (xenon) 3 h 320 lux at 2 m	10 W (halogen) 1 h 30 490 lux at 2 m	10 W (halogen) 4 h 1300 lux at 2 m
	auxiliary lamp	1.5 W (incandescent) 15 h 5 lux at 1 m	1.5 W (incandescent) 15 h 5 lux at 1 m	1.5 W (incandescent) 24 h 4 lux at 1 m
Consumption	10 VA	10 VA		6.5 VA
Battery	Pb	Pb	Ni-Cd	Ni-Cd
Page	68	68		68

Portable emergency lamps

Top 4 Toplux Jodiolux

No!



No improvisation on safety!



High quality lamps.

1. Automatic lighting

Operation equivalent to a normal emergency light. While it is connected to the mains (230 V), the lamp will come on automatically if there is a power failure.

2. Direct recharging from the mains

Can be recharged directly from the mains through the cable supplied with the product.
Recharge time: 24 hours.

3. Optional charger

An optional 12/24 V DC charger can be connected for charging the lamps (in cars for example).

Jodiolux

IP 65.
Battery operation 4-24 hrs.
Provides 1300 lux at 2 m.



P106282

Top 4

IP 40.
Battery operation 4-12 hrs.
Provides 320 lux at 2 m.
Cable incorporated inside.



P106264



P106266

4. Double indication



All models have 2 light sources that are capable of constant operation (for searching) or flashing (for indicating), with a switch for each of the functions.

5. Ergonomic



The lamps have handles on the top so that the product is easier to handle and carry.

6. Directable



All of the models have a directable beam to assist working.

7. Variety of tones



Different coloured filters included with each model.

Toplux

IP 55.

Battery operation 2-15 hrs.

Provides 490 lux at 2 m.



Anti-fog diffuser
(Toplux and Top 4)



Portable emergency lamps

Top 4 IP 40

No!



No improvisation on safety!



P93029



CE



Lamp and 4 colour filters (included)

P93030

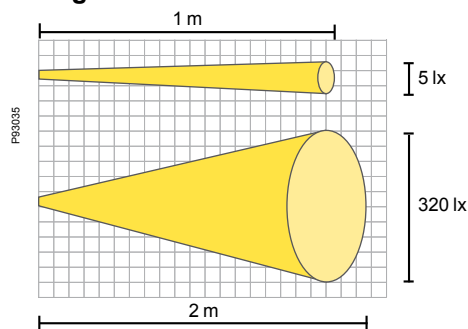
Presentation

- Top 4 is an emergency spotlight with rechargeable lead batteries and 2 lamps: one 5.5 W xenon lamp and one incandescent 1.5 W lamp.
- Ideal for night watches, rescue and similar purposes. Top 4 can also be used as an emergency lamp, thanks to the diffuser-signaller with flashing function on both lamps.
- Rugged: designed for heavy-duty applications and made from highly resistant materials.
- Rechargeable directly from 230 V supply. The main cable is situated inside the optical unit.
- When plugged on power supply, it can switch on automatically when the mains falls.
- Versatile: Top 4 can be used as a lantern thanks to the adjustable beam
- Optional charger available to recharge Top 4 from car battery.

Technical Specifications

- Both lights can flash
- Protection rating: IP 40
- Class II □
- Operating temperature: -10...40°C
- Recharge: 230 V, 50 Hz, recharging time: 24 h
- Autonomy: 3 h (main light) and 15 h (auxiliary light)




Diagram






Product catalogue numbers

Rated power, type and autonomy		Consumption (VA)	Pb battery	Weight (kg)	Cat. no.
main lamp	auxiliary lamp				
5.5 W - xenon - 3 h	1.5 W - incandescent - 15 h	10	6 V / 4 Ah	1.9	OVA41317E

Accessory catalogue numbers

		Cat. no.
Lamp supports		OVA50360E
Diffuser signaller		OVA50315E
Charger		OVA50358E

Spare parts catalogue numbers

		Cat. no.
Battery		OVA51023E
Lamps		OVA51001E
		OVA51000E

Toplux IP 55



CE



Lamp and included accessories (mains cable, 4 colour filters and shoulder carrying strap)

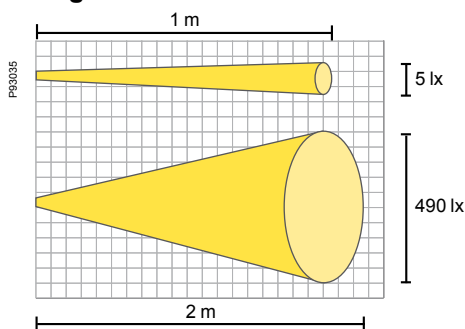
Presentation

- Toplux is a professional rechargeable searchlight resistant to heavy rain (IP 55).
- Ideal for military, police, rescue and security applications. Toplux can also be used as an emergency lamp, thanks to the diffuser-signaller with flashing function on both lamps.
- It is fitted with two lamps: one powerful iodine lamp (10 W) and one incandescent lamp (1.5 W).
- Long distance light beam with range of more than 200 m.
- Rechargeable directly from 230 V supply.
- When plugged into a power outlet, it can switch on automatically in case of mains failure.
- An electronic circuit prevents batteries from discharging completely.
- Versatile: Toplux can be used as a lantern thanks to the adjustable beam
- Optional charger available to recharge Toplux from car battery.

Technical Specifications

- Both lights can flash
- Protection rating: IP 55 (special rubber gaskets)
- Class II
- Operating temperature: -10...40°C
- Recharge: 230 V, 50 Hz, recharging time: 24 h
- Autonomy:
 - 1 h 30 (main light) and 15 h (auxiliary light)
 - 4 h (main light) and 24 h (auxiliary light)

Diagram



Product catalogue numbers

Rated power, type and autonomy		Consumption	Battery	Weight	Cat. no.
main lamp	auxiliary lamp	(VA)		(kg)	
10 W - halogen - 1 h 30	1.5 W - incandescent - 15 h	10	Pb 6 V 4 Ah	2.0	OVA41318E
10 W - halogen - 4 h	1.5 W - incandescent - 24 h	10	Ni-Cd 6 V 7 Ah	2.4	OVA41319E

Spare parts catalogue numbers

		Cat. no.
Batteries	6 V - 4 Ah - Pb	OVA51023E
	6 V - 7 Ah - Ni-Cd	OVA51036E
Lamps	halogen - 6 V - 10 W	OVA51002E
	6 V - 1.5 W	OVA51000E

Accessory catalogue numbers

		Cat. no.
Lamp supports	These accessories are made of painted steel and are useful for fixing the portable lamps to the wall, on motor vehicles, boats, etc., to place units in a handy position.	OVA50360E
Diffuser signaller	Manufactured to solve the problem of circular signalling, this diffuser is used with Top 4 flashing lamps. It is suitable for use in case of fog, danger, etc. and can be used where 360° lighting is needed. Ideal for fire brigades, construction yards, police, boats, rescue applications, etc.	OVA50315E
Charger	This is used to recharge the portable emergency lamps from 12/24 V DC. Maximum output power: 10 VA (excluding capacitive loads). Output voltage: 220 V, 50 Hz. Dimensions: 65 x 95 x 100 mm.	OVA50358E

Portable emergency lamps

Jodiolux IP 65, IK 07

No!



No improvisation on safety!



P93033



CE

P93034



Lamp and included accessories (mains cable, 4 colour filters and shoulder carrying strap)

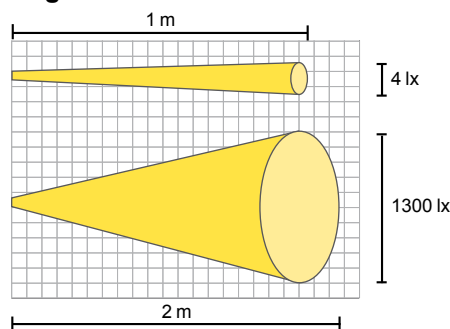
Presentation

- Jodiolux is a portable professional searchlight provided with high-performance emergency functions and resistant to heavy rain (IP 65).
- Ideal for military, police and rescue applications.
- It is fitted with two lamps: a powerful iodine lamp (10 W) for high-power lighting, and a small incandescent bulb (1.5 W) for economy lighting.
- Long distance light beam with range of 300 m.
- Rechargeable directly from 230 V supply.
- When plugged into a power outlet, it can switch on automatically in case of mains failure.
- Versatile: Jodiolux can be used as a lantern thanks to the adjustable beam
- Optional charger available to recharge Jodiolux from car battery.

Technical Specifications

- Case of nylon
- Compliant with EN 60598-2-8 standards
- Both lights can flash
- Protection rating: IP 65 (special rubber gaskets), IK 07
- Class II \square
- Operating temperature: -10...40°C
- Recharge: 230 V, 50 Hz, recharging time: 24 h
- Autonomy: 4 h (main light) and 24 h (auxiliary light)



Diagram






Product catalogue numbers

Rated power, type and autonomy		Consumption (VA)	Ni-Cd battery		Weight (kg)	Cat. no.
main lamp	auxiliary lamp		6 V	7 Ah		
10 W - halogen 4 h	1.5 W - incandescent 24 h	6.5	6 V	7 Ah	2.1	OVA41033E

Accessory catalogue numbers

		Cat. no.
Lamp supports	 P101303	These accessories are made of painted steel and are useful for fixing the portable lamps to the wall, on motor vehicles, boats, etc., to place units in a handy position.
Charger	 P93159	This is used to recharge the portable emergency lamps from 12/24 V DC. Maximum output power: 10 VA (excluding capacitive loads). Output voltage: 220 V, 50 Hz. Dimensions: 65 x 95 x 100 mm.

Spare parts catalogue numbers

		Cat. no.
Battery	 P101306	6 V - 7 Ah - Ni-Cd OVA51020E
Lamps	 P101289	halogen - 6 V - 10 W OVA51002E
	 P101305	6 V - 1.5 W OVA51000E